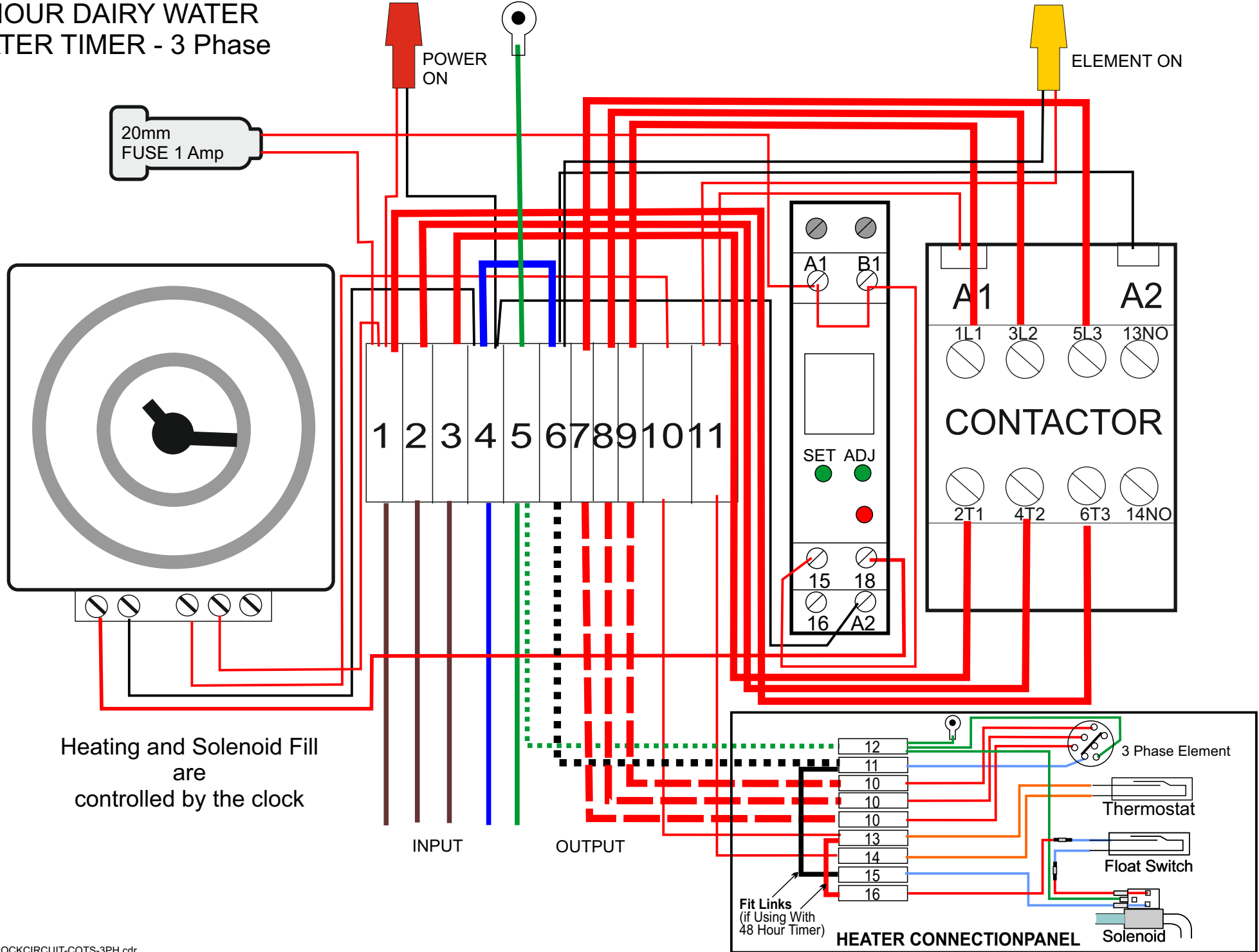


# 48-HOUR DAIRY WATER HEATER TIMER - 3 Phase



Heating and Solenoid Fill  
are  
controlled by the clock

INPUT

OUTPUT

Fit Links  
(if Using With  
48 Hour Timer)

HEATER CONNECTION PANEL

3 Phase Element

Thermostat

Float Switch

Solenoid

20mm  
FUSE 1 Amp

POWER  
ON

ELEMENT ON

1 2 3 4 5 6 7 8 9 10 11

A1 B1  
SET ADJ  
15 18  
16 A2

A1 A2  
1L1 3L2 5L3 13NO  
CONTACTOR  
2T1 4T2 6T3 14NO

12  
11  
10  
10  
10  
13  
14  
15  
16

Thermostat

Float Switch

Solenoid